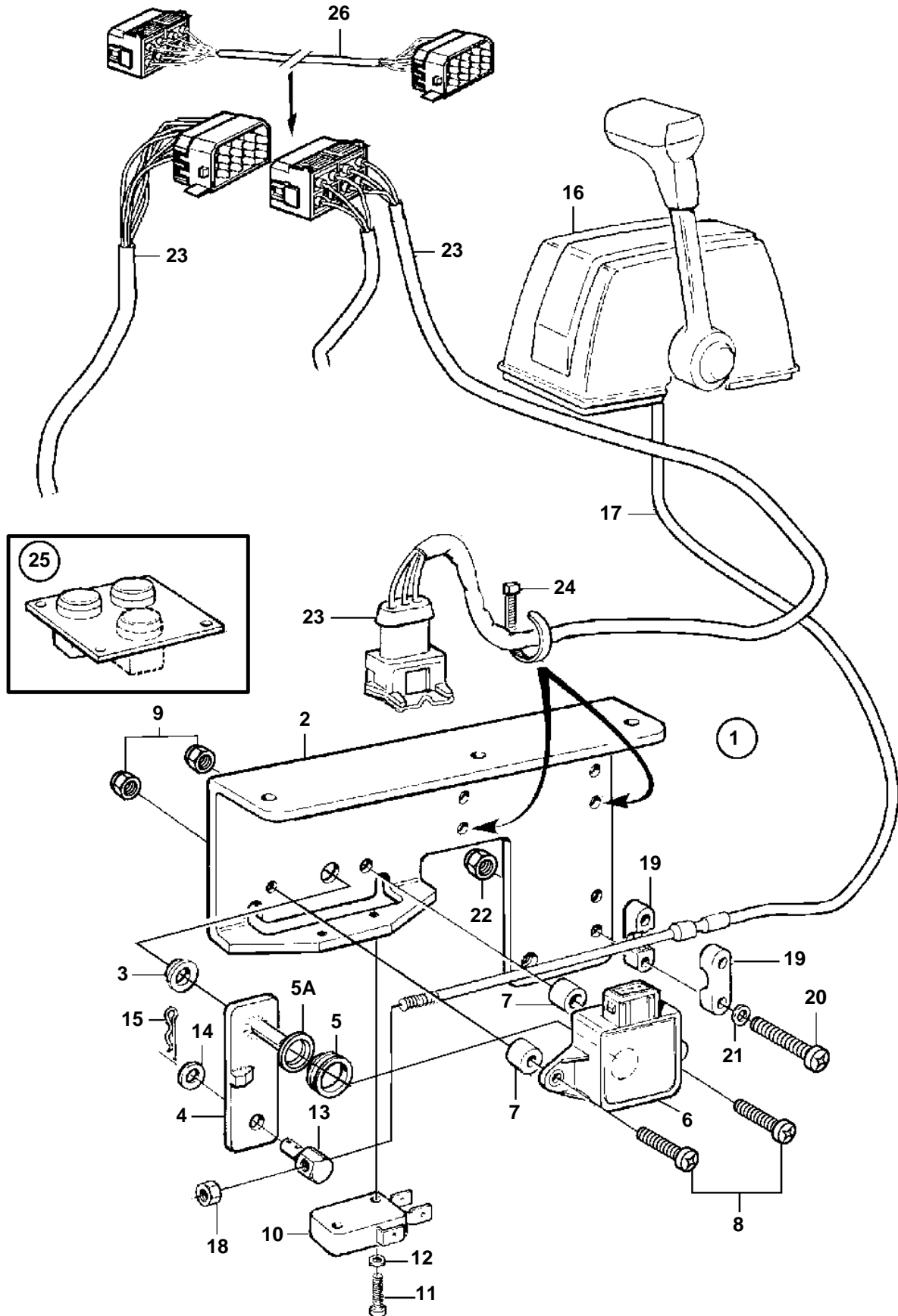


KAMD44P-A, KAD44P-A



KAMD44P-A, KAD44P-A

REF	PART NO.	QTY	DESCRIPTION	SEE SEC.	NOTES
1	3829694	1	Adapter		
2		1	• Bracket		
3	3829680	1	• Bushing		
4		1	• Lever		
5	943342	1	• Sealing ring		
5A	3829681	1	• Washer		
6	1336385	1	• Potentiometer		
7	3825525	2	• Spacer		
8	969518	2	• Screw		M4x25
9	963103	2	• Lock nut		
10	850200	1	• Switch		NEUTRAL POSITION CONTACT
11	956049	2	• Screw		
12	955890	2	• Washer		
13	814082	1	• Cube		
14	955892	1	• Washer		
15	664822	1	• Lock spring		
16		1	Control		
17		1	Control cable	231	
18		1	• Nut		
19	850361	2	Cable attachment		
20	956081	2	Screw		M5x25
21	940090	2	Washer		
22	946577	2	Lock nut		
23		1	Cable harness		Cable harness without moisture proof contacts and panel with 2 or 3 holes.
		1	Cable harness		Cable harness with moisture proof contacts and panel with 3 holes.
24	948211	2	Strip clamp		
25		1	Control panel		
				4372	Cable harness with moisture proof contacts and panel with 3 holes.
26	873908	1	Extension cable		L=5000mm. Cable harness with moisture proof contacts and panel with 3 holes.
	873909	1	Extension cable		L=9000mm. Cable harness with moisture proof contacts and panel with 3 holes.